

David White[®]

Nobody Helps You Build Better... since 1895



**Laser & Optical
Instruments**

2015 CATALOG

Theodolites | AutoLevels | Transits | Levels | Lasers

David White®

Nobody Helps You Build Better... since 1895

David White Company was founded in 1895 in Milwaukee, Wisconsin, U.S.A. Its founder, David White, was born in Hungary on September 26, 1874. His occupation was that of an instrument maker and, after immigrating to the U.S., he originated the company with the help of established relatives in the Milwaukee area. In 1900, he organized a partnership with Charles Klaweither, manufacturing drawing and surveying instruments. The company was incorporated on June 22, 1912. Its products became widely recognized for craftsmanship in specialized optics.

Today, the David White name continues to provide productivity tools for leveling, layout and measuring in the construction and surveying industries.

Its comprehensive line of products includes rotating construction lasers including manual and self-leveling models, optical instruments including levels, level-transits, automatic levels and automatic level-transits.

David White is committed to providing its customers with quality products and superior service.

www.davidwhite.us.com

THE DAVID WHITE GUARANTEE

Limited Warranty Program

All David White laser tools and optical instruments will be free from defects in material or workmanship for a period of two (2) years from date of purchase.



David White laser products are manufactured to Class 2M or 3R laser classification. Please refer to product warning labels for actual laser output and classification.

Nobody Helps You Build Better ... since 1895

SELECTION GUIDE - SPECIFICATIONS

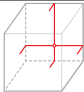
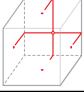
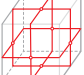
OPTICAL INSTRUMENTS

Model	Optics	Leveling Accuracy (+/-)	Job Range (Up to)	Horizontal Measuring	Vertical Measuring	Plummet Type
L6-20	22X	1/4" at 100' (6mm at 30m)	200-ft (60m)	Yes	No	n/a
LT6-900	22X	1/4" at 100' (6mm at 30m)	200-ft (60m)	Yes	Yes	n/a
AL8-26	26X	1/16" at 100' (1.6mm at 30m)	325-ft (100m)	Yes	No	n/a
AL8-32	32X	1/32" at 100' (1.0mm at 30m)	400-ft (120m)	Yes	No	n/a
LT8-300	26X	3/16" at 150' (5mm at 45m)	400-ft (120m)	Yes	Yes	n/a
LT8-300P	26X	3/16" at 150' (5mm at 45m)	400-ft (120m)	Yes	Yes	optical
LT8-300LP	26X	3/16" at 150' (5mm at 45m)	400-ft (120m)	Yes	Yes	laser
LT8-300LTU	26X	3/16" at 150' (5mm at 45m)	400-ft (120m)	Yes	Yes	optical
DT8-05P	30X	5-sec	n/a	Yes	Yes	optical
DT8-05LP	30X	5-sec	n/a	Yes	Yes	laser
DT8-05LS	30X	5-sec	n/a	Yes	Yes	optical

ROTARY LASER INSTRUMENTS

Model	Leveling Accuracy (+/-)	Job Range (Up to)	Plumb Beams	Vertical Layout	Scanning	Variable Speed (RPM)	Slope Capable
3900HV	3/16" at 100' (4.5mm at 30m)	1000' (400m)	Up	Yes	Yes, with Remote Only	Yes, with Remote Only	manual
4200HV	1/8-in at 100-ft (3mm at 30m)	1600' (500m)	Up/Down	Yes	Yes	Yes	dual 10%
4200H	1/8-in at 100-ft (3mm at 30m)	1600' (500m)	-	-	-	-	dual 10%

LASER LAYOUT TOOLS

Model	Leveling Accuracy (+/-)	Job Range (Up to)	Laser Projection	Cross Lines	90 Vertical Alignment	Vertical Plumb	Laser Dots
LL2CL	1/8" at 30' (3mm at 10m)	165' (50m)		Yes	-	-	-
PL5CL	1/4" at 100' 3mm at 30m)	165' (50m)		Yes	Yes	Yes	4
LL360P	1/4" at 100' 3mm at 30m)	165' (50m)		Yes	Yes	Yes	-

OPTICAL INSTRUMENTS

LT8-300 UNIVERSAL LEVEL-TRANSIT

Ruggedness and dependability make these five minute instruments these first choice for practically every horizontal and vertical sighting application in construction.

- 26X Level-Transit
- $\pm 3/16$ -in at 150-ft (4.75mm at 45m) leveling accuracy
- Up to 400-ft (120m) range
- Horizontal circle, lock and tangent
- Vertical arc, lock and tangent
- 1:100 stadia with glass reticle
- Three (3) models available with plummet options

46-D8870 LT8-300 Universal Level-Transits. Include: instrument, plumb bob, rain hood, objective lens, case, manual

46-D8871 LT8-300P Universal Level-Transit with Optical Plummet. Include: instrument, plumb bob, rain hood, objective lens, case, manual

46-D8872 LT8-300LP Universal Level-Transit with Laser Plummet. Include: instrument, plumb bob, rain hood, objective lens, case, manual



LT8-300LTU LINE TRANSFER UNIT

The LT8-300LTU with 360° telescope rotation allows you to see directly below the instrument for pipe laying applications.

- Versatile– Can be used with pipe aligning lasers or as a level-transit.
- Powerful 26X optics
- $\pm 3/16$ -in at 150-ft (4.75mm at 45m) leveling accuracy
- Up to 400-ft (120m) range
- Laser plummet for quick and easy setup
- Circle Lock– Assures accuracy by preventing the horizontal circle from being moved accidentally.
- Glass Reticle– With stadia lines for measuring distance. Stadia ratio 1:100.
- Plate Vial– For rough leveling and general plummeting requirements.

46-D8879 LT8-300LTULP Universal Line Transfer with Laser Plummet. Include: instrument, rain hood, objective lens, case, manual



DT8-05 DIGITAL TRANSIT-THEODOLITE

Simple, push button functions gives the user precise LCD digital readouts.

- Incremental encoding detection system with dual digital displays
- Automatic power shut-off
- Optical and laser plummet option available for centering of point
- Coaxial tangent and clamp screws provide ease of use in sighting and alignment
- Built-in battery pack can be attached and detached by a single action
- Water resistant, sealed construction

46-D8895 DT8-05P Digital Theodolites with Optical Plummet. Includes: instrument, sunshade, tool kit, rain cover, plumb bob, carrying case, rechargeable battery pack/charger, alkaline battery tray, user manual

46-D8896 DT8-05LP Digital Theodolites with Laser Plummet. Includes: instrument, sunshade, tool kit, rain cover, plumb bob, carrying case, rechargeable battery pack/charger, alkaline battery tray, user manual

46-D8897 DT8-05LS Digital Theodolites with Laser Sight, Optical Plummet. Includes: instrument, sunshade, tool kit, rain cover, plumb bob, carrying case, rechargeable battery pack/charger, alkaline battery tray, user manual



AL8-SERIES AUTOMATIC LEVELS

Make every leveling job faster and easier with David White designed automatic levels. Superior design sighting scope and bubble vial are built into the housing for greater durability.



- Lock-Out Device- Protects compensator during transport
- Larger Aperture- Allows more light for a sharper image
- Wire-Hung Magnetically Damped Compensator- Holds the level line of sight within ± 15 arc minutes of level
- Soft Control Knobs- Easier to grip
- Horizontal Circle- Easy-to-read white on black graduations
- Infinite Tangent Screw
- Accuracy up to $1/32$ " at 100-ft (1.0mm at 30m), working range up to 400-ft (120m)

45-D8926 AL8-26 26-Power Automatic Level Kit. Include: instrument, adjustment tools, lens cap, plumb bob, case, manual

45-D8932 AL8-32 32-Power Automatic Level Kit. Include: instrument, adjustment tools, lens cap, plumb bob, case, manual

45-D8932-1 AL8-32 32-Power Automatic Level Kit. Include: instrument, adjustment tools, lens cap, plumb bob, case, manual, aluminum tripod, 13-ft aluminum rod

LT6-900 22X TRANSIT-LEVEL

Modestly priced and easy to use, these instruments are designed for light construction work— leveling, turning angles, and determining vertical angles.



- $\pm 1/4$ -in at 100-ft (6mm at 30m) leveling accuracy
- Up to 200-ft (60m) range
- Horizontal Circle— Graduated to single degrees and reads by vernier direct to $1/4$ degree (15 minutes)
- Features a Vertical Arc— Read to degrees ($0-45^\circ$)
- Horizontal Lock and Tangent Screw— Provides precise movement control
- Built-in Sunshade— For clearer sightings
- Leveling Vial— Top mounted for effortless viewing

44-D8834 LT6-900 22X Transit-Level. Includes: transit-level, plumb bob, case, manual

L6-20 22X LEVEL

Designed for light construction work - leveling and turning angles.

- $\pm 1/4$ -in at 100-ft (6mm at 30m) leveling accuracy
- Up to 200-ft (60m) range
- Horizontal Circle— Graduated to single degrees and reads by vernier direct to $1/4$ degree (15 minutes)
- Horizontal Lock and Tangent Screw— Provides precise movement control
- Built-in Sunshade— For clearer sightings
- Leveling Vial— Top mounted for effortless viewing

44-D8824 L6-20 22X Level. Includes: level, plumb bob, case, manual



620 SIGHTING HAND LEVEL

Ideal for preliminary survey and simple distance estimation

- Sturdy impact resistant body and easy-to-read protected vial
- Pocket clip

43-D620 620 2X Hand Level. Includes: hand level



ROTARY LASER INSTRUMENTS

4200HV ROTARY LASER WITH LAYOUT BEAMS

Horizontal and vertical electronic self-leveling for precise leveling applications, ideal for both indoor and outdoor use. Vertical laydown positioning provides vertical alignment capabilities and squaring to ensure that walls or partitions are precisely aligned.

- $\pm 1/8$ -in at 100-ft (3mm at 30m) leveling accuracy
- Up to 1000-ft (300m) working range
- Manual Mode allows laser to be tilted for simple slope applications
- Smart H.I. Alert System alerts user when laser has been disturbed or drifts
- Variable rotation speeds for a wide variety of jobsite visibility settings: 0, 60, 120, 300 and 600RPM
- Scan Angles: 10°, 45°, 90°, 180°; for maximum visibility
- Visible 90-degree layout beams (both up and down plumb) for alignment and squaring
- Clock-wise and counter-clock-wise beam positioning
- Enclosed Rotor Housing keeps laser safe from tough jobsite conditions

48-4200HV 4200HV Rotary Laser with Layout Beam. Includes: rotary laser, LD20 laser detector w/clamp, mount, rechargeable NiMH battery pack, alkaline battery pack, remote, target, glasses, carrying case, user manual



4200H HORIZONTAL ROTARY LASER

Horizontal electronic self-leveling for precise leveling applications, ideal for outdoor use.

- $\pm 1/8$ -in at 100-ft (3mm at 30m) leveling accuracy
- Up to 1000-ft (300m) working range
- Manual Mode allows laser to be tilted for simple slope applications
- Smart H.I. Alert System alerts user when laser has been disturbed or drifts
- Enclosed Rotor Housing keeps laser safe from tough jobsite conditions

48-4200H 4200H Horizontal Rotary Laser. Includes: rotary laser, LD20 laser detector w/ clamp, rechargeable NiMH battery pack, alkaline battery pack, carrying case, user manual



3900HV ROTARY LASER WITH LAYOUT BEAM

Simple horizontal and vertical electronic self-leveling for precise leveling applications, ideal for both indoor use. Vertical laydown positioning provides vertical alignment capabilities and squaring to ensure that walls or partitions are precisely aligned.

- Simple button operation, easy to use
- $\pm 3/16$ -in at 100-ft (4.5mm at 30m) leveling accuracy
- Up to 1300-ft (400m) working range
- Plumb up laser beam for 90° vertical layout
- Manual Mode allows laser to be tilted for simple slope applications
- Variable rotation speeds and scan angles can be adjusted with remote control
- Anti-Drift System alerts user when laser has been disturbed or drifts
- Enclosed Rotor Housing keeps laser safe from tough jobsite conditions

48-3900HV 3900HV Rotary Laser with Layout Beam. Includes: rotary laser, laser detector w/clamp, built-in mount, rechargeable NiMH battery pack, alkaline battery pack, remote, target, glasses, carrying case, user manual



LL360P 360° LAYOUT & ALIGNMENT LASER

Projects a 360° horizontal laser plane and two 360° vertical planes - creating five 90° intersecting points for level and alignment applications.

- ±1/4-in at 100-ft (3mm at 30m) leveling accuracy
- Up to 165-ft (50m) working range with detector
- Self-levels and indicates out-of-level condition
- Detector mode allows laser to be used in bright light conditions with optional line laser detector
- Pendulum system locks when switched off
- Adapter and support base with strong magnets, 1/4-20 and 5/8-11 thread, slots for screws or nails, raceways for optional straps
- Easy access battery compartment.

47-LL360P LL360P Cross Line Layout Laser. Includes: laser, target, multi-mount adapter, batteries, carrying case, user manual



PL5CL 5-POINT AND CROSS LINE LASER

Vertical, horizontal & cross laser line modes: projects two lines independently or together for a wide range of level and/or plumb applications.

- ±1/4-in at 100-ft (3mm at 30m) leveling accuracy
- Up to 165-ft (50m) working range with detector
- Tilt "manual mode" cross line - ideal for tilting laser cross lines manually at any angle
- Robust over-molded housing
- Easy access battery compartment
- Detector mode allows laser to be used in bright light conditions with optional line laser detector (use with optional LLD20 laser receiver)
- Adapter and support base with strong magnets, 1/4-20 and 5/8-11 thread, slots for screws or nails, raceways for optional straps

47-PL5CL PL5CL 5-Point and Cross Line Laser. Includes: laser, target, multi-mount adapter, batteries, carrying case, user manual



LL2CL CROSS LINE LAYOUT LASER

Vertical, horizontal & cross laser line modes: projects two lines independently or together for a wide range of level and/or plumb applications.

- ±1/8-in at 30-ft (3mm at 10m) leveling accuracy
- Up to 165-ft (50m) working range with detector
- Tilt "manual mode" cross line - ideal for tilting laser cross lines manually at any angle
- Robust over-molded housing
- Detector mode allows laser to be used in bright light conditions with optional line laser detector (use with optional laser receiver)
- Adapter and support base with strong magnets, 1/4-20 and 5/8-11 thread, slots for screws or nails, raceways for optional straps
- Easy access battery compartment

47-LL2CL LL2CL Cross Line Layout Laser. Includes: laser, target, magnetic adapter, 360-degree support base, batteries, carrying case, user manual





David White[®]

Exclusively offered by


Dave White's SitePro

7619 S 1150 E, Suite B
Otterbein IN 47970 USA

phone **(765) 581-4097**

fax **(765) 581-4098**

www.davidwhite.us.com



David White brand is an exclusively licensed by Dave White's SitePro, LLC. We reserve the right under our continuing product improvement program, to change product offering, pricing, and specifications without notice or without incurring any obligation.

Printed in U.S.A.

SP-DW15 © 2015 Copyright Dave White's SitePro LLC

www.sitepro.us.com